

# Alfa Laval T10 Semi-welded

## Gasketed plate heat exchanger for demanding applications

### Introduction

Alfa Laval Industrial semi-welded line is used when gaskets are not suitable for one of the process media. The semi-welded line can also withstand a higher design pressure compared to fully gasketed plate-and-frame heat exchangers.

Suitable for a wide range applications, this model is available with a large selection of plate and gasket types.

### Applications

- Chemicals
- Energy and Utilities
- Food and Beverages
- HVAC and Refrigeration
- Marine and Transportation
- Pulp and Paper
- Steel
- Water and Waste treatment

### Benefits

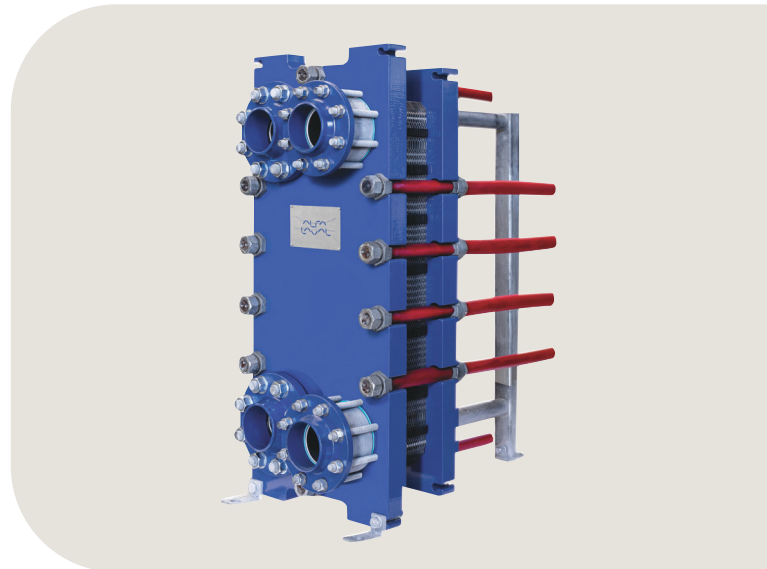
- High energy efficiency – low operating cost
- Flexible configuration – heat transfer area can be modified
- Easy to install – compact design
- High serviceability – easy to open for inspection and cleaning and easy to clean by CIP
- Access to Alfa Laval's global service network

### Features

Every detail is carefully designed to ensure optimal performance, maximum uptime and easy maintenance. Selection of available features, depending on configuration some features may not be applicable:



- CurveFlow™ distribution area
- ClipGrip™ gasket attachment
- OmegaPort™ noncircular port holes
- Leak chamber
- RefTight™ sealing system
- SteerLock™ plate alignment
- Compact frame
- Fixed bolt head
- Key hole bolt opening
- Lifting lug
- Lining



- Lock washer
- Tightening bolt cover
- Optimized Alfa Laval drain connection

### Alfa Laval 360° Service Portfolio

Our extensive service offering ensure top performance from your Alfa Laval equipment throughout its life cycle. The Alfa Laval 360 Service Portfolio include installation services, cleaning and repair as well as spare parts, technical documentation and trouble shooting. We also offer replacement, retrofit, monitoring and much more.

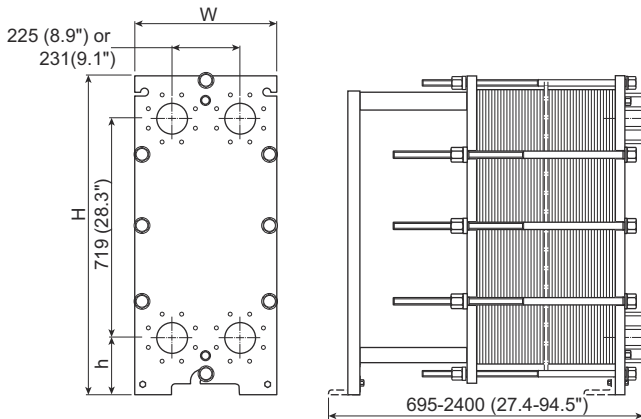
For information about our complete service offering and how to contact us - please visit [www.alfalaval.com/service](http://www.alfalaval.com/service).

## General remarks for technical information

- The global offering presented in this leaflet may not be available for all regions
- All combinations may not be configurable

## Dimensional drawing

Measurements mm (inches)



Type	H	W	h
FGc, ALS, PED	1084 (42.7")	470 (18.5")	215 (8.5")
FDc, ALS	981 (38.6")	470 (18.5")	131 (5.2")
FDc, ASME	1084 (42.7")	470 (18.5")	215 (8.5")
FDRc, PED	981 (38.6")	470 (18.5")	131 (5.2")
FTc, ASME, PED	1084 (42.7")	470 (18.5")	215 (8.5")
FXc, PED	1133 (44.6")	470 (18.5")	215 (8.5")
FXc, ASME	1190 (46.9")	540 (21.2")	240 (9.4")

The number of tightening bolts may vary depending on pressure rating.

## Technical data

Plates	Type	Free channel, mm (inches)
EW	Semi-welded	1.81 (0.071)

### Materials

Heat transfer plates	304/304L, 316/316L Ti
Field gaskets	NBR, EPDM NBR, EPDM, CR
Ring gaskets	NBR, EPDM, FEPM, CR
Flange connections	Metal lined: stainless steel, titanium Metal lined: stainless steel, Alloy 254, titanium
Frame and pressure plate	Carbon steel, epoxy painted

Other materials may be available on request

## Operational data

Frame, PV-code	Max. design pressure (barg/psig)	Max. design temperature (°C/°F)
FGc, pvcALS	16.0/232	180/356
FGc, PED	16.0/232	180/356

Frame, PV-code	Max. design pressure (barg/psig)	Max. design temperature (°C/°F)
FDc, pvcALS	25.0/363	180/356
FDc, ASME	23.4/339	250/482
FDRc, PED	25.0/362	180/356
FTc, PED	40.0/580	180/356
FTc, ASME	41.4/600	250/482
FXc, ASME	62.1/900	160/320
FXc, PED	63.0/914	150/302

Extended pressure and temperature rating may be available on request.

## Flange connections

Frame model	Connection standard
	EN 1092-1 DN100 PN16
FGc, pvcALS	ASME B16.5 Class 150 NPS 4 JIS B2220 16K 100A
FGc, PED	EN 1092-1 DN100 PN16 ASME B16.5 Class 150 NPS 4
FDc, pvcALS	EN 1092-1 DN100 PN25 ASME B16.5 Class 300 NPS 4 JIS B2220 20K 100A
FDc, ASME	ASME B16.5 Class 300 NPS 4
FDRc, PED	EN 1092-1 DN100 PN25 Special squared flange
FTc, PED	EN 1092-1 DN100 PN40 ASME B16.5 Class 300 NPS 4
FTc, ASME	Special squared flange
FXc, PED	EN 1092-1 DN100 PN16 EN 1092-1 DN100 PN25 EN 1092-1 DN100 PN63
FXc, ASME	ASME B16.5 Class 300 NPS 4 ASME B16.5 Class 900 NPS 4

Standard EN1092-1 corresponds to GOST 12815-80 and GB/T 9115.

RLF (Rectangular Loose Flange) in pressure plate: FG, FD, FT PED, FX PED, FX ASME

This document and its contents are subject to copyrights and other intellectual property rights owned by Alfa Laval Corporate AB. No part of this document may be copied, re-produced or transmitted in any form or by any means, or for any purpose, without Alfa Laval Corporate AB's prior express written permission. Information and services provided in this document are made as a benefit and service to the user, and no representations or warranties are made about the accuracy or suitability of this information and these services for any purpose. All rights are reserved.

## How to contact Alfa Laval

Up-to-date Alfa Laval contact details for all countries are always available on our website at [www.alfalaval.com](http://www.alfalaval.com)